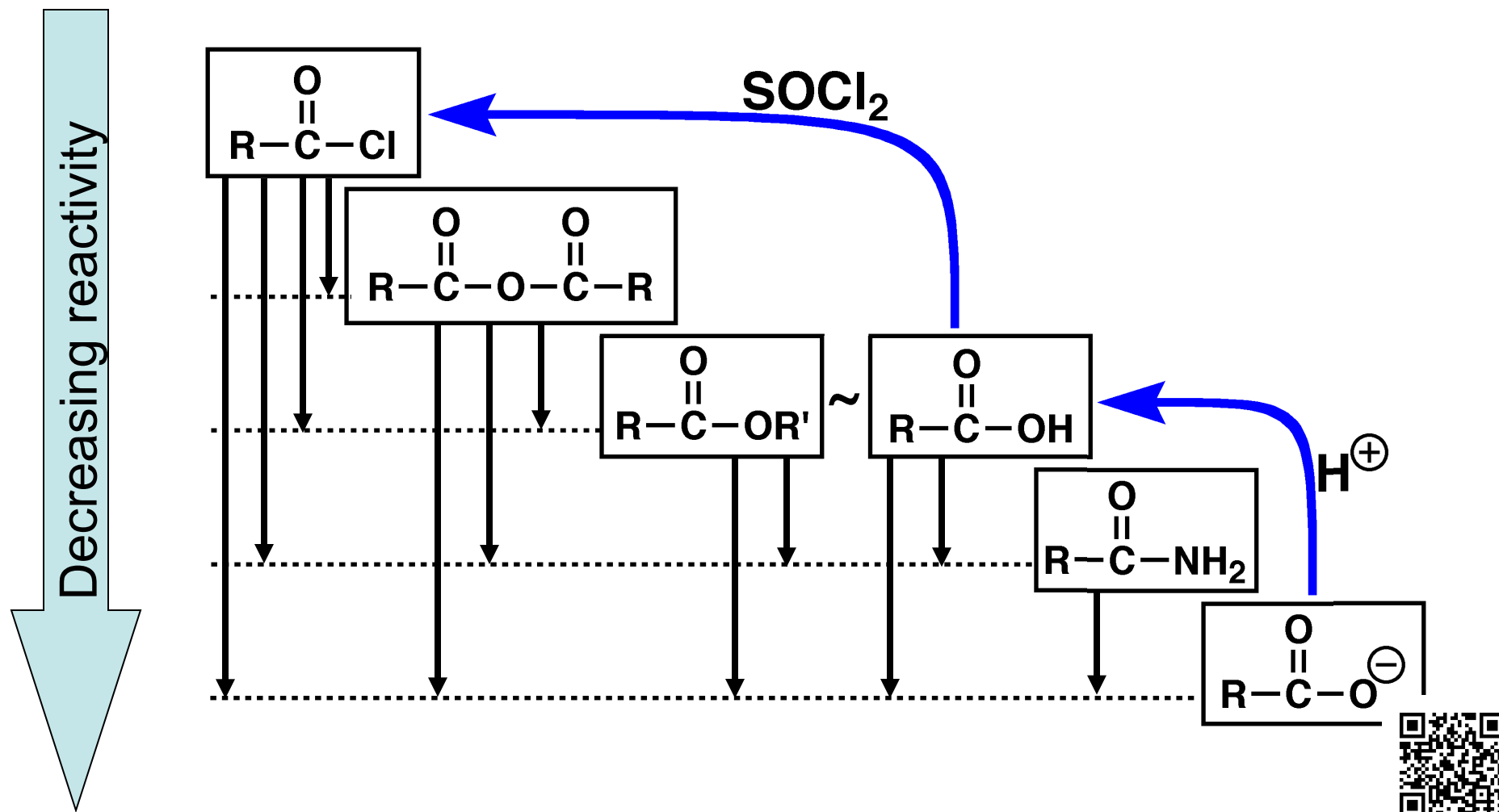


Interconversion of Carboxylic Acid Derivatives

For the reagents needed to accomplish these interconversions, see the following link:

<http://wps.prenhall.com/wps/media/objects/725/743131/0087f.html>



Mechanism of Acid Chloride Formation

